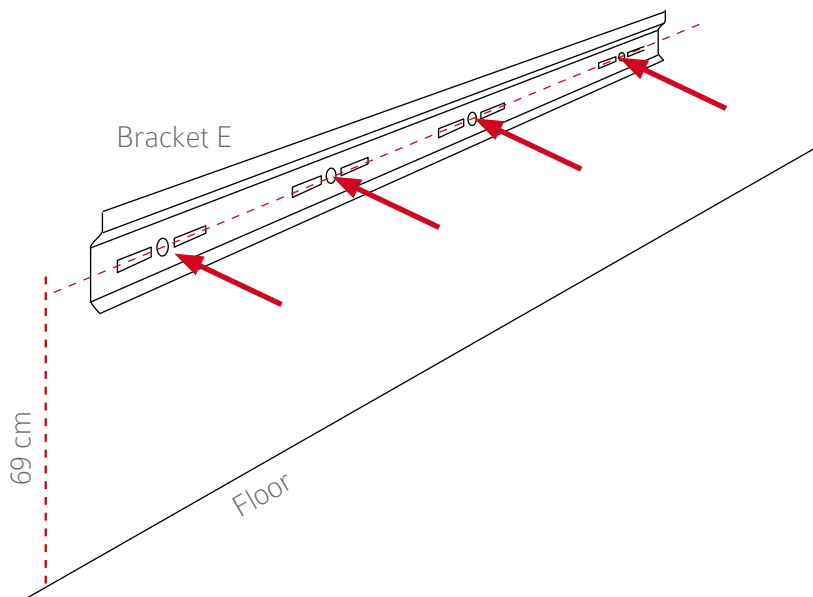
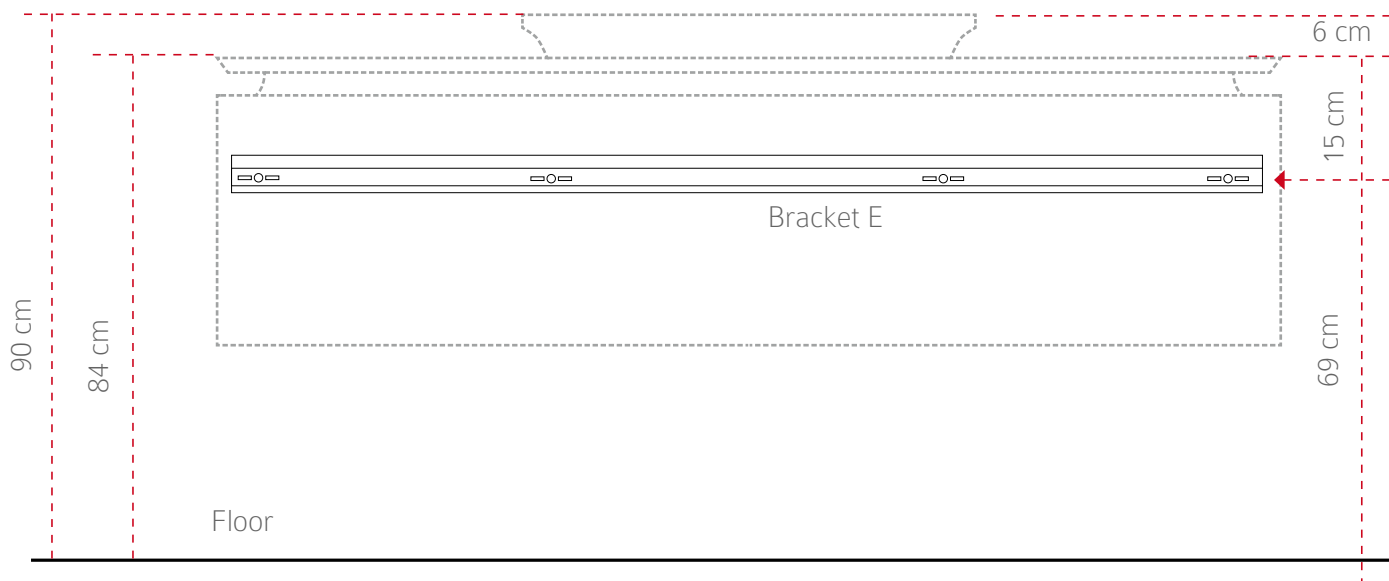
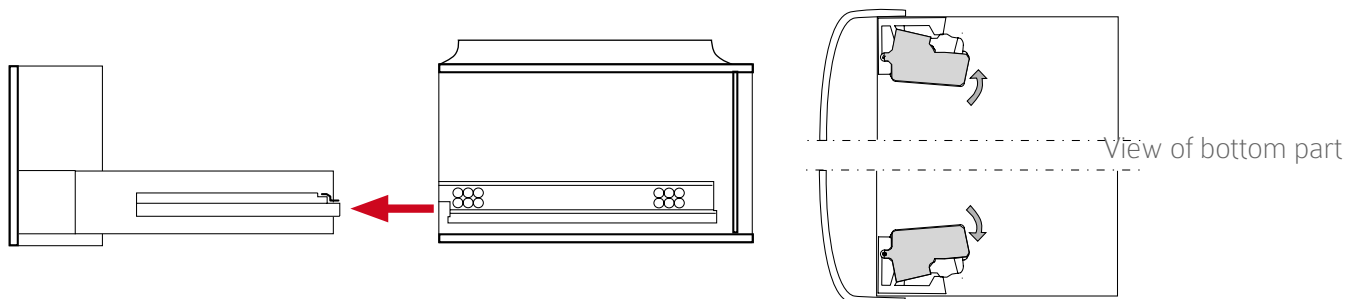


# Karol Mounting Instructions For Bania Collection

**STEP 1 - Place and fix the bracket E in line with the wall (the basin must be at h.cm.90 from the floor)**



**STEP 2 - Pull out the drawers from the cabinet**



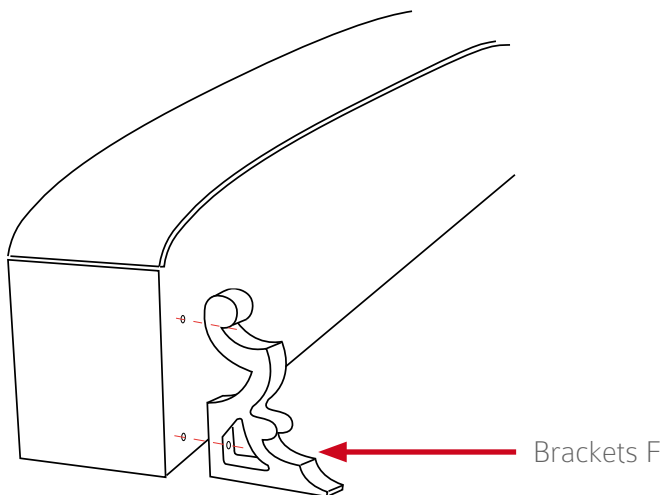
Open the drawer and bring it to the end of stroke

Unhook the drawers acting on the mechanisms located under the bottom part

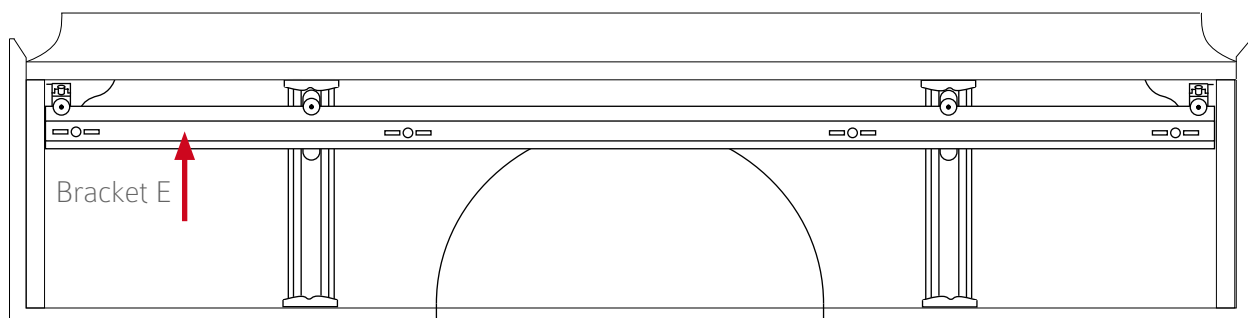
Pull out the drawer or the drawers

## STEP 3 - Mounting of the brackets Bania

Place the cabinet with the back on the floor and fix the brackets F on the base



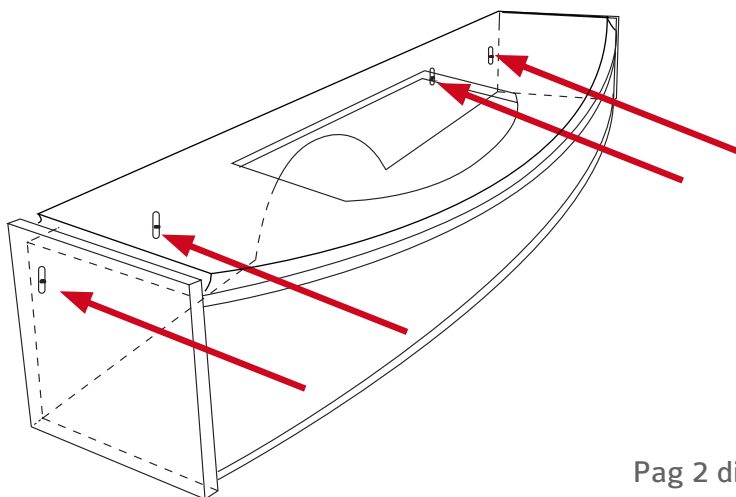
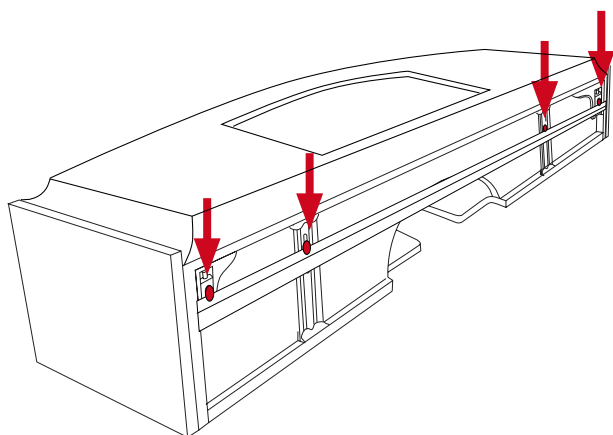
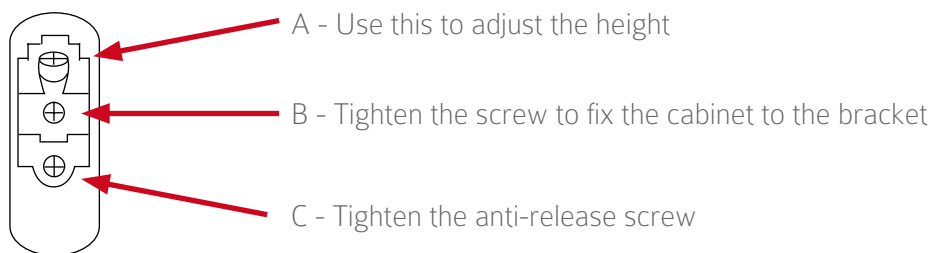
## STEP 4 - Lean the cabinet against the wall, lower it and hook it to the bracket E. To make the hooking easier, unscrew the wheels B



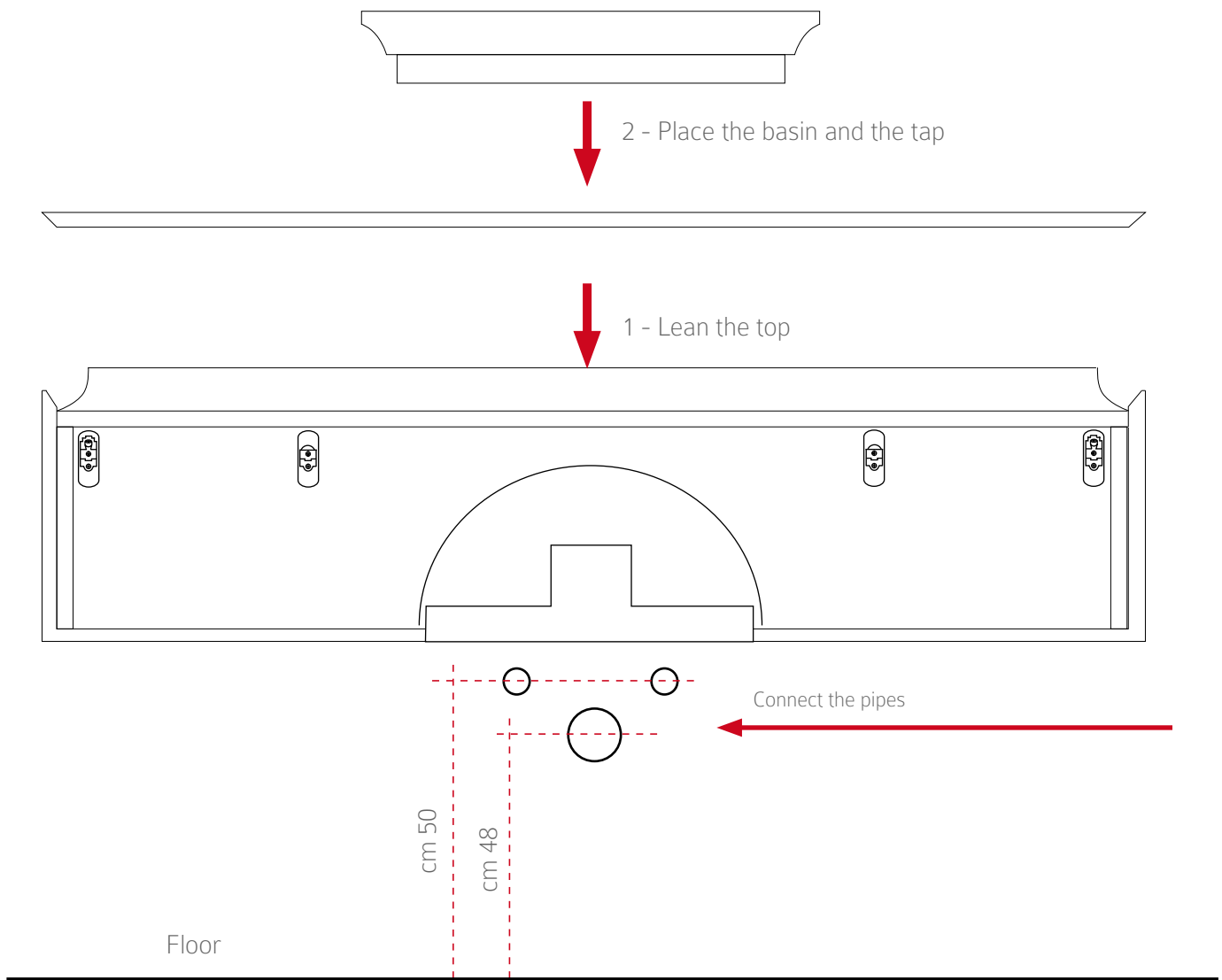
Wheels B



## STEP 5 - Set the cabinet



## STEP 6 - Complete the cabinet



## Passo 7 - Insert the drawers in the cabinet

