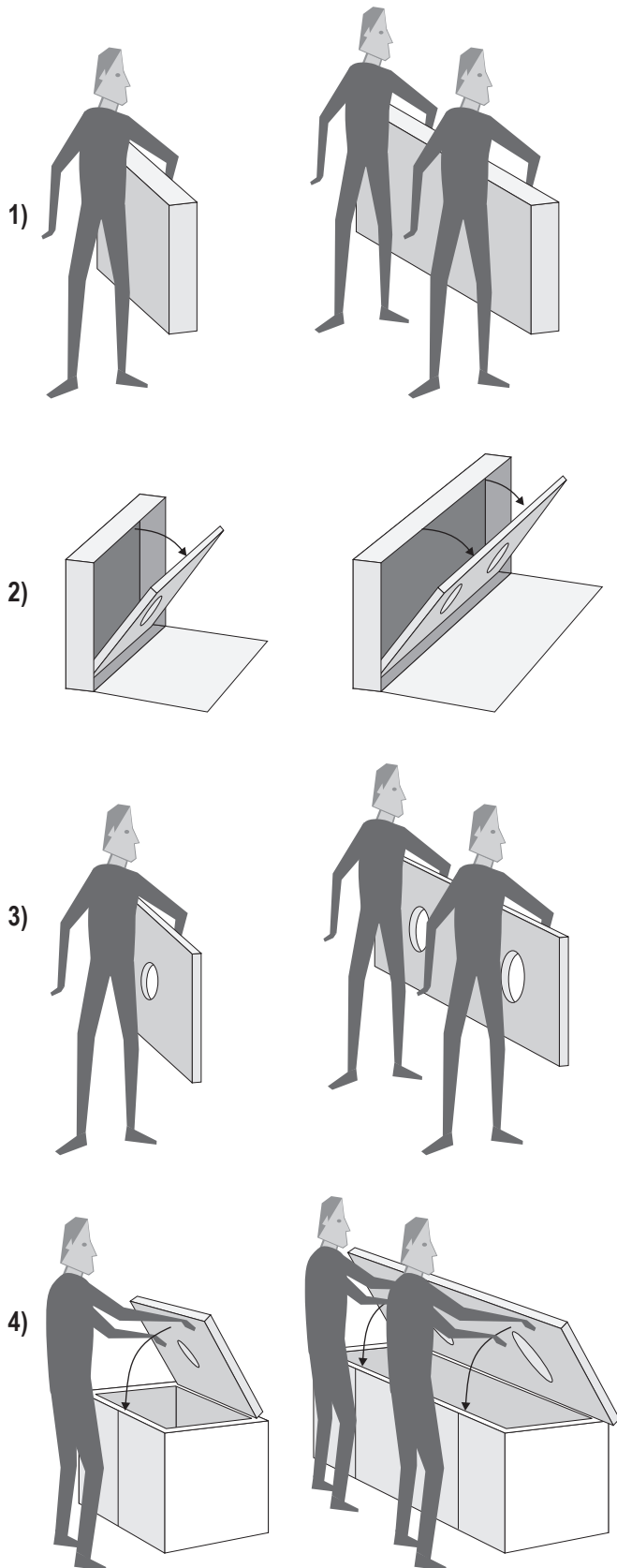


URBAN CHIC

Instructions of assembly

Karol

Handling of glass and stone tops



1) Glass and stone tops must be always leant perpendicular to the floor and carried in their wooden crate to the installation site.
Sharp movements or strokes may easily cause cracks.

2) Place the wooden crate on the narrow side just in front of the installation site, open it cautiously and take the glass/stone top out.

3) Glass/stone tops must be carried and lifted to wished height taking care of keeping them always perpendicular to the floor.
An improper lifting or an incorrect transport may cause cracks of glass/stone tops.

4) Carry the top in the proper mounting position.

Assembling

- 1) Fix the "E" bracket to the wall at wished height (height depends on use of under or over top built-in basins).

PLEASE NOTE:
IT IS VERY IMPORTANT TO MOUNT THE BRACKET
LEVELLED

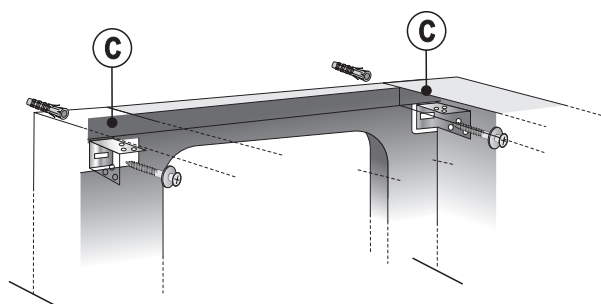
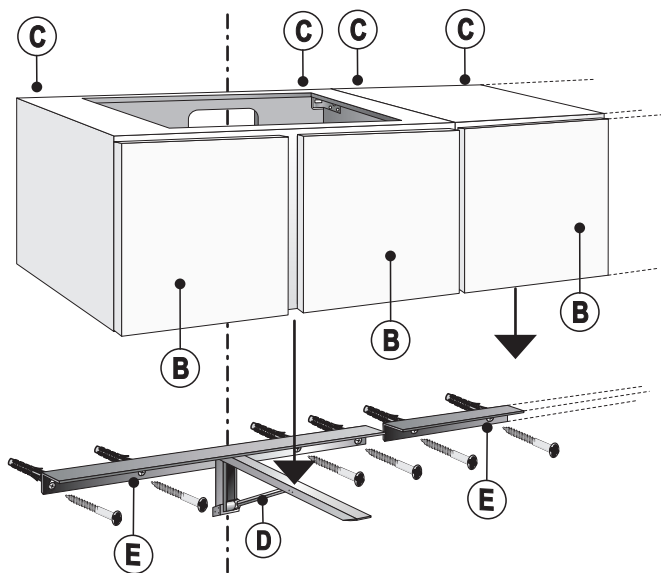
- 2) Open the drawers and the large pull-out drawers "A" completely, push them up and take them out.

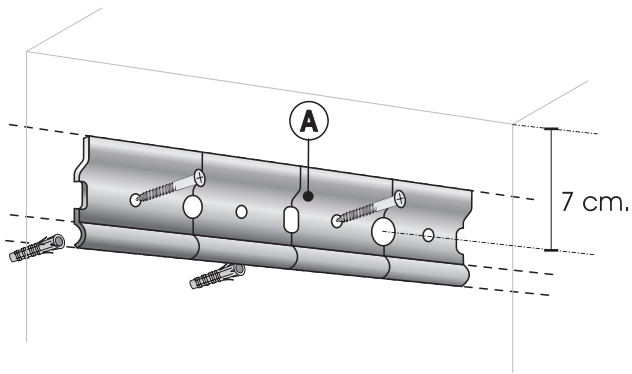
- 3) Place the cabinet on the bracket "E", mark holes, drill and insert screw anchors.

- 4) Place the cabinet on the bracket "E" again, insert screws and screw.

- 5) Extract the metallic slides totally and place the drawers or the pull-out drawers there on. Then push them to closing. If the drawers do not perfectly suit, open them totally and close them again.

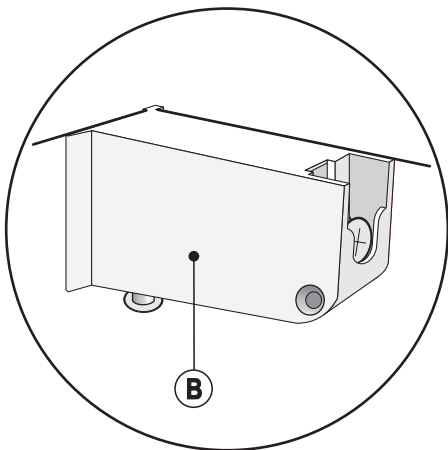
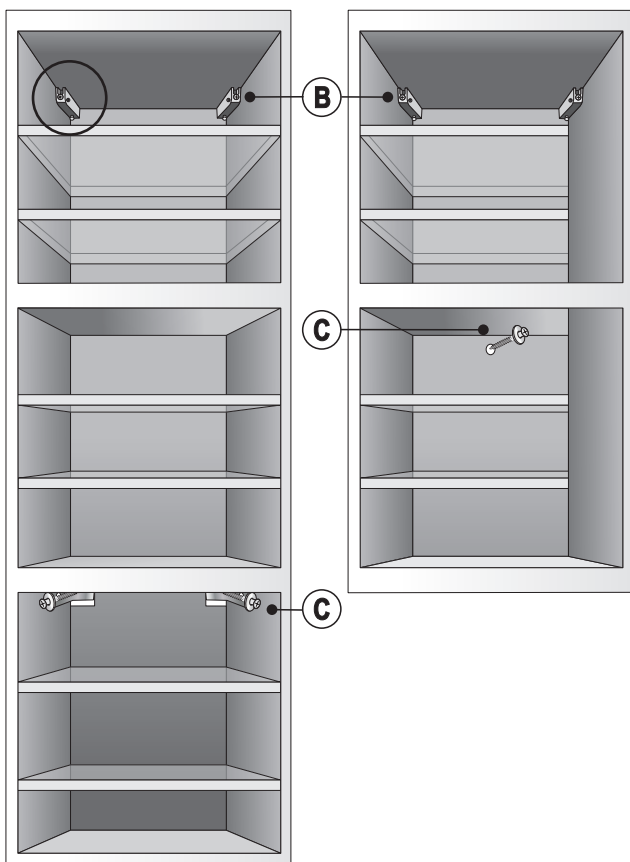
- 6) Act on the arm "D" to line up the fronts; if the wall is not perfectly levelled, act on the screws "C".





Assembling

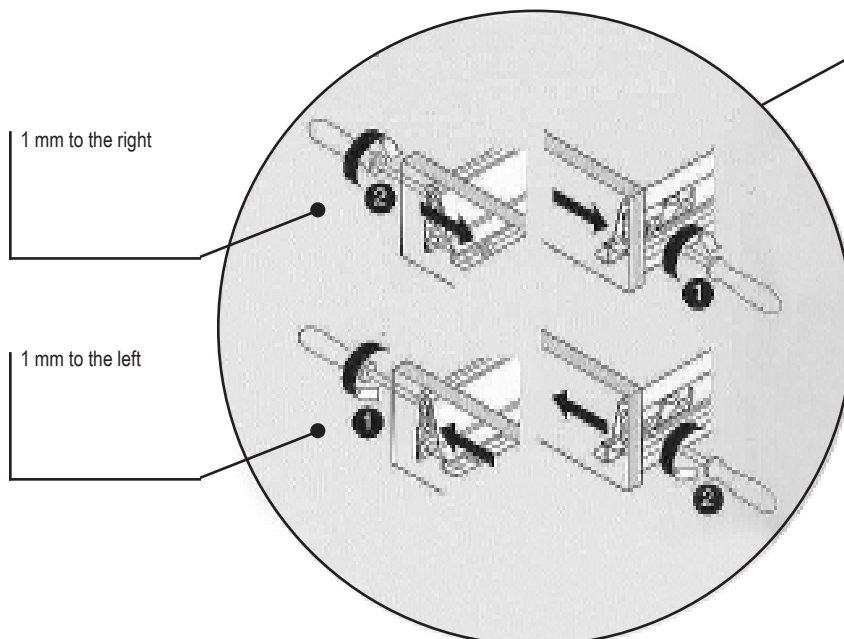
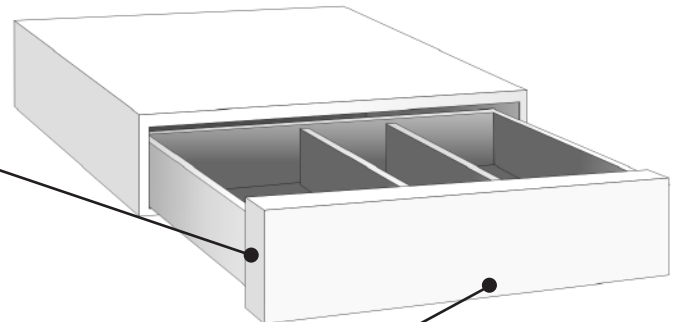
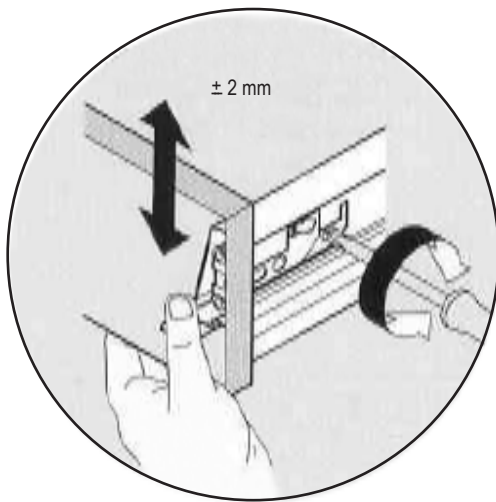
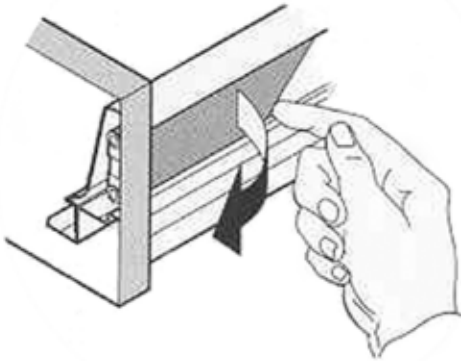
- 1) Fix the bracket "A" in line with the wall, mark holes, drill, insert screw anchors and screw.
- 2) Hang the cabinet on the bracket "A" by adjusting the screw "B" from inside to level it.
- 3) Fix the cabinet by screws "C".
- 4) If front doors are not perfectly levelled, that is due to irregular wall. So, level them by adjusting screws "B" and "C".



Drawers fronts "Urban chic"

Adjustment

- 1) Remove the side plate.
- 2) Vertical adjustment.
- 3) Horizontal adjustment.

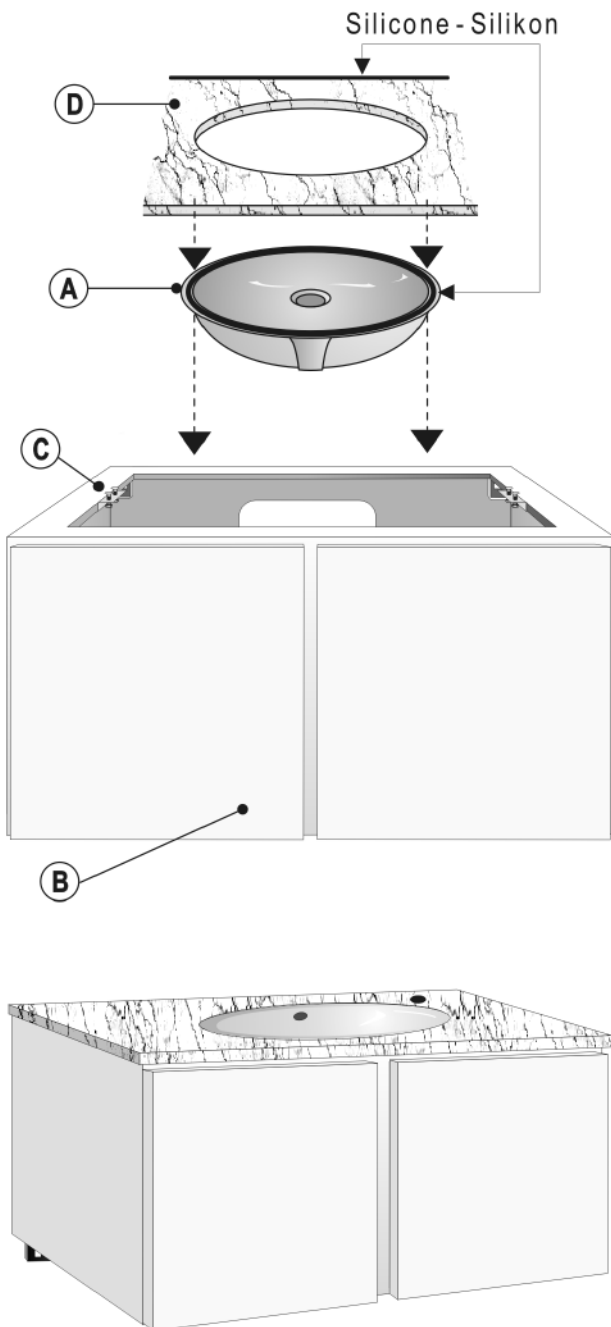


Assembling

- 1) Place the basin "A" on the cabinet "B".
- 2) Put silicone on the basin's edge "A".
- 3) Put silicone on the edge of top "D" side against wall/walls.
- 4) Place the top on the cabinet and act on "C" screws pushing up the basin as long as there is a perfect adhesion between top and basin.

PLEASE NOTE:

On the top use only the supplied silicone.



Assembling

1) Fix the “E” bracket to the wall at wished height.

PLEASE NOTE:

IT IS VERY IMPORTANT TO MOUNT THE BRACKET LEVELLED

2) Open the drawers and the large pull-out drawers “B” completely, push them up and take them out.

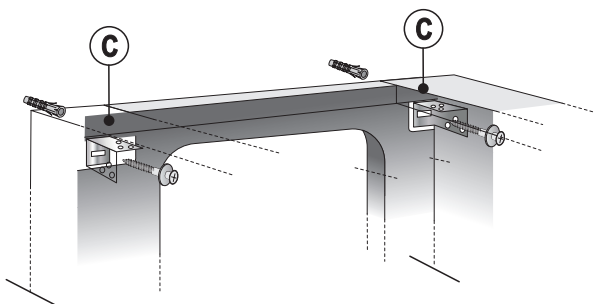
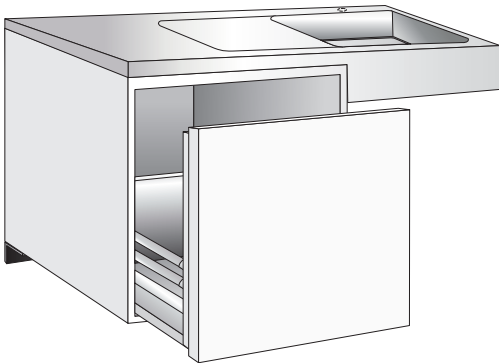
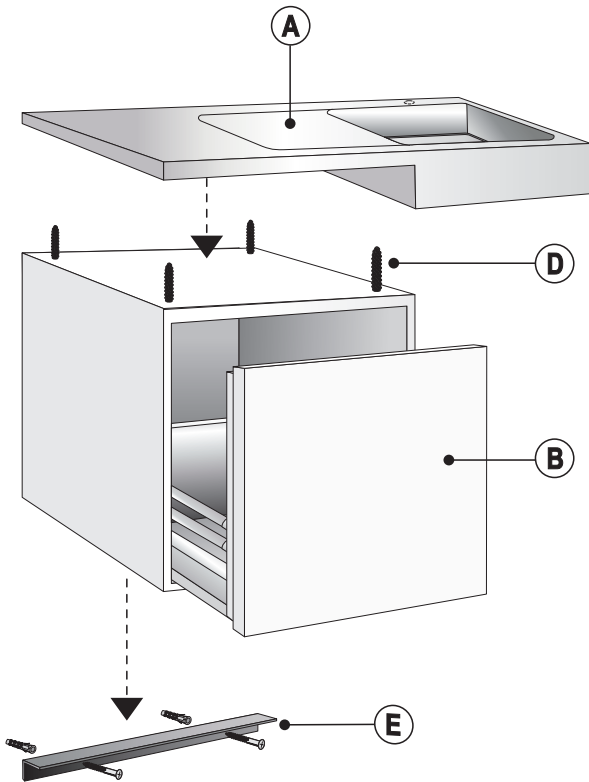
3) Place the cabinet on the bracket “E”, mark holes, drill and insert screw anchors.

4) Place the cabinet on the bracket “E” again, insert screws and screw.

5) Place the basin “A” on cabinet and fix it by screws “D” from the inside of cabinet.

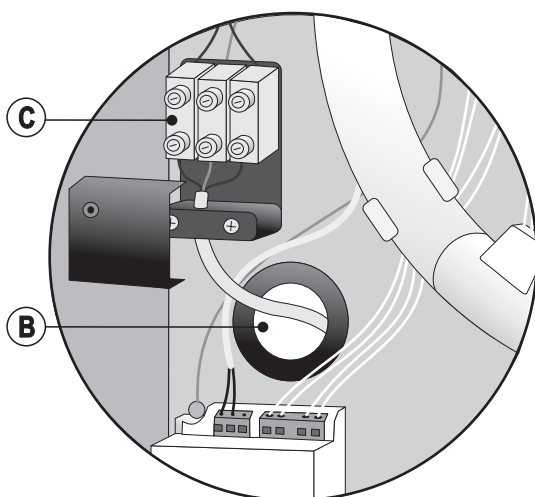
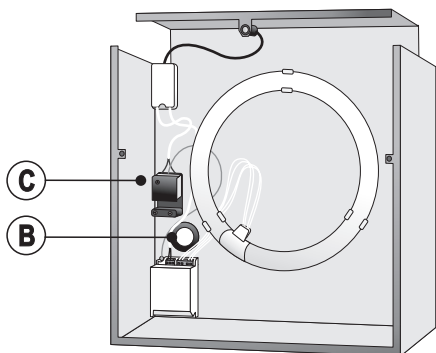
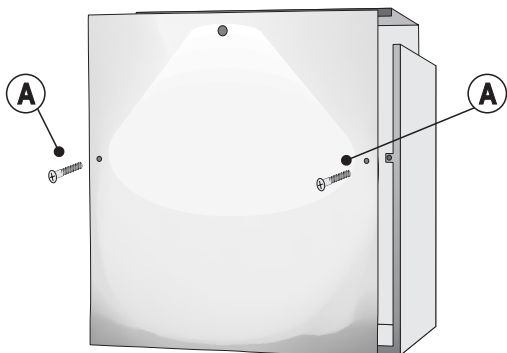
6) Extract the metallic slides totally and place the drawers or the pull-out drawers there on. Then push them to closing. If the drawers do not perfectly suit, open them totally and close them again.

7) Act on screws “C” to line up the fronts.



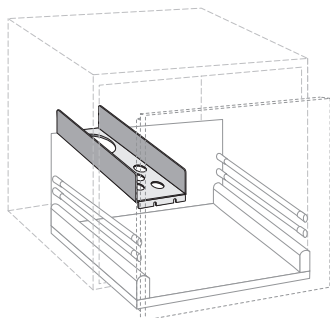
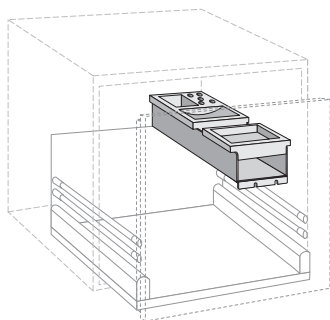
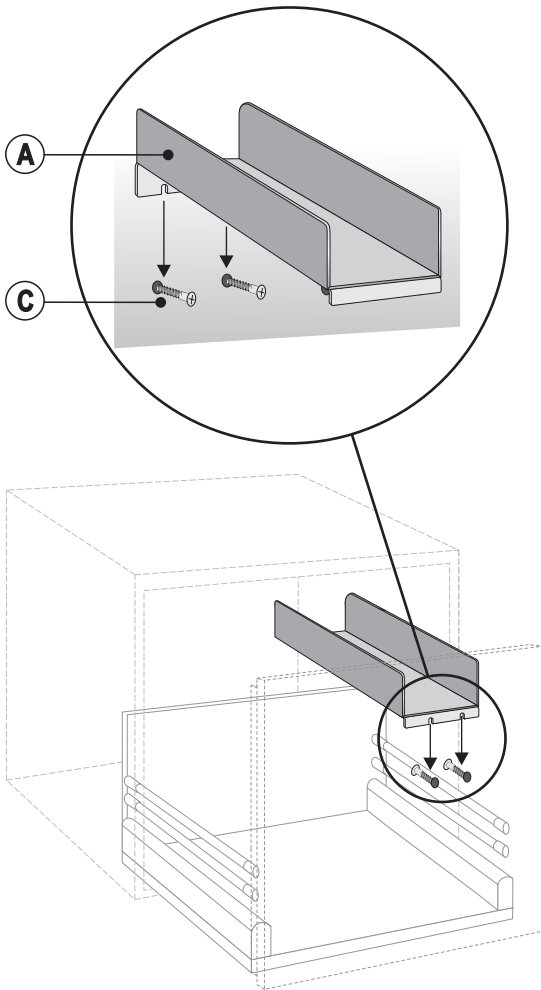
Assembling

- 1) Unscrew the screws “A” and remove the white panel.
- 2) Insert the electric cable in the hole “B” and connect it to the terminal board “C”.
- 3) Close the unit with the white panel by fixing it with screws “A”.

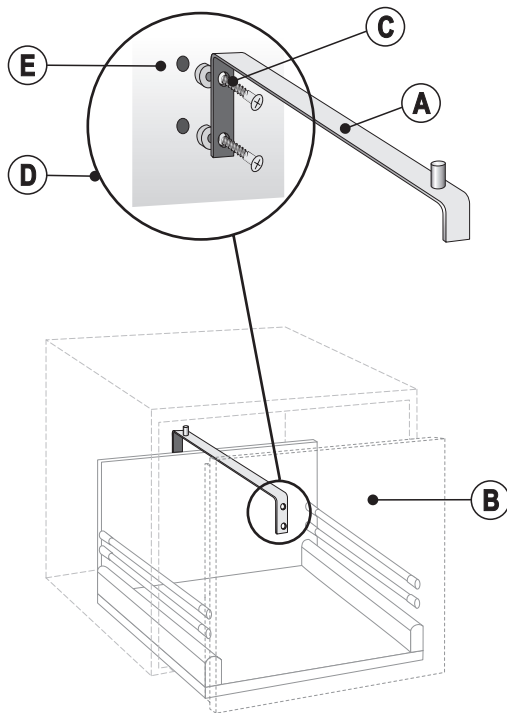


Assembling

- 1) Place the screws "C" on the prearranged cuts on the door.
- 2) Screw the screws "C" leaving the space to insert the fitting "A"; insert the fitting "A" and tighten the screws.



Assembling instructions for towel holder "Urban chic"



Assembling

- 1) Place the screws "C" on the prearranged cuts "E" as per drawing "D".
- 2) Place the supplied cylinders between the towel holder "A" and the door "B" and screw.

Assembling instructions for mirrors "Urban chic"

Assembling

- 1) Fasten the two hooks "G" to the wall by acting on "E" screws.
- 2) Place the mirror acting on hook "G".
- 3) Unhook the mirror and fasten "F" screws.

PLEASE NOTE:

For the mirror's cleaning we recommend to use only denatured alcohol.

The Company is not responsible for damages caused by the use of different products.

